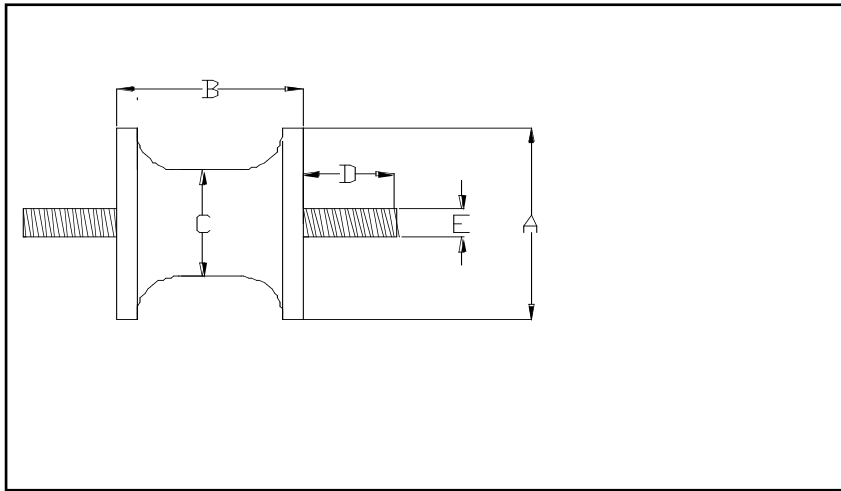


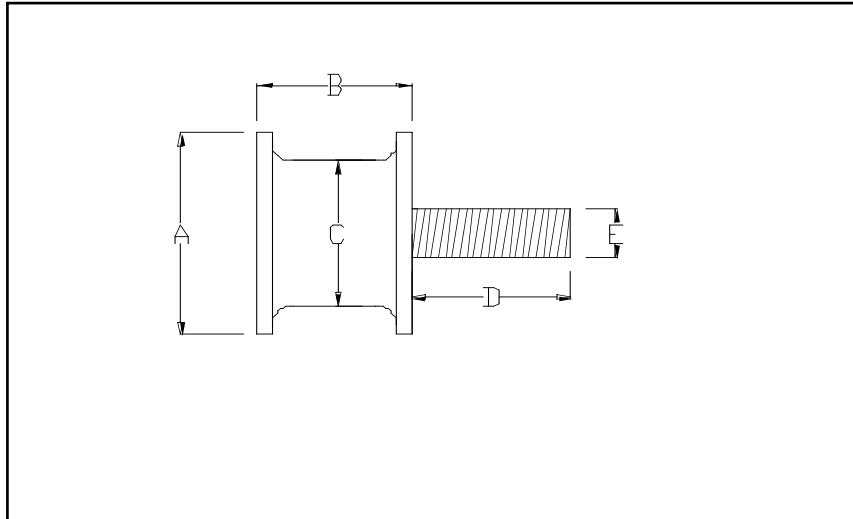
## ANTI-VIBRATION MOUNTINGS



## ANTI-VIBRATION MOUNTINGS

PART CODE	A mm	B mm	C mm	D mm	E mm	MAX LOAD Kg	DEFLECTION mm
MTG19212140514	12	14	12	12	5	8	1.6
MTG19325200823	25	20	25	23	8	40	3
MTG19420180618	20	18	20	18	8	12	2.5
MTG19540281023	40	28	40	23	10	90	3.5
MTG19633210823	33	21	22	23	8	40	3
MTG19740291023	40	29	19	23	10	30	5
MTG19859450823	55	45	30	23	8	40	4
MTG19958410823	56	41	35	23	8	75	5
MTG23460591023	60	59	45	23	10	150	8
MTG23560371022	60	36	60	23	10	150	3.5
MTG23658251023	58	25	58	23	10	150	1.5
MTG23775501023	75	50	75	23	10	300	7
MTG24995681637	95	68	78	37	16	400	10
MTG26075381022	75	38	75	23	10	300	6
MTG26660501022	60	50	60	23	10	150	6
MTG28275501240	75	50	75	37	12	300	7
MTG28340390828	40	39	40	23	8	90	6
MTG295503010	50	30	50	FM	10	120	4
MTG403008	40	30	40	23	8	30	5
MTG502010NORM	50	20	50	27	10	100	1.5
MTG602510	60	25	60	27	10	150	1.5

## BUFFERS



PART CODE	A mm	B mm	C mm	D mm	E mm	MAX STATIC LOAD Kg	DEFLECTION mm
MTGB23460591023	60	58	45	23	10	140	8
MTGB24013130510	13	13	13	12	5	8	1.6
MTGB24127200618	27	20	27	18	6	40	3
MTGB24240251023	40	25	40	23	10	90	3.5
MTGB24660251022	60	25	60	23	10	150	1.5
MTGB24995681637	95	68	78	37	16	380	8
MTGSCALE01	20	13	20	30	6	NA	NA
MTGSCALE03	50	25	50	50	10	NA	NA